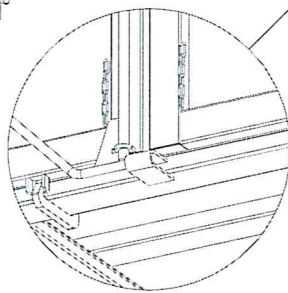


tube 140x80x4

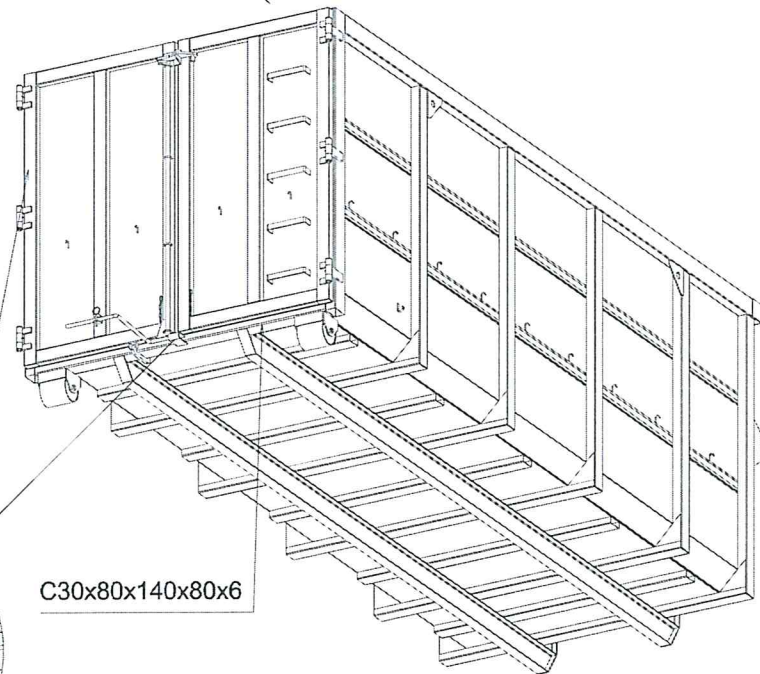
U100x50x4

U120x50x4

U110x70x3



C30x80x140x80x6



T30STD
30 M3
6000 x 2300 x 2184
4/3/3